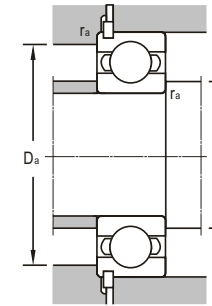
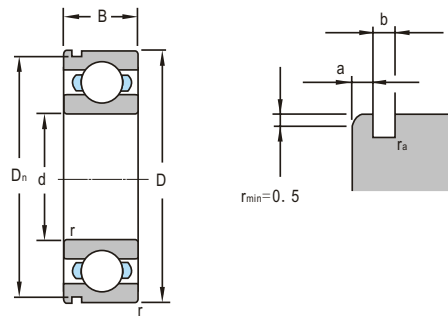


d 15~35mm

Boundary Dimensions								Basic Load Ratings		Limiting Speeds	
d	D	B	r <sub>min</sub>	D <sub>n</sub>	a	b	r <sub>1min</sub>	Dynamic C	Static C <sub>0</sub>	Grease	Oil
mm								kN		r/min	
15	35	11	0.6	33.17	2.06	1.35	0.5	7.8	3.75	19000	24000
	42	13	1	39.75	2.06	1.35	0.5	11.4	5.42	17000	20000
17	40	12	0.6	38.1	2.06	1.35	0.4	9.56	4.75	17000	20000
	40	12	0.6	38.1	2.06	1.35	0.4	9.56	4.75	17000	20000
	47	14	1	44.6	2.46	1.35	0.4	13.5	6.5	16000	19000
	47	14	1	44.6	2.46	1.35	0.4	13.5	6.5	16000	19000
20	47	14	1	44.6	2.46	1.35	0.4	12.7	6.55	15000	18000
	47	14	1	44.6	2.46	1.35	0.4	12.7	6.55	15000	18000
	52	15	1.1	49.73	2.46	1.35	0.4	15.9	7.8	13000	16000
	52	15	1.1	49.73	2.46	1.35	0.4	15.9	7.8	13000	16000
22	56	16	1.1	53.6	2.46	1.35	0.5	30.9	15.2	10000	13000
	56	16	1.1	53.6	2.46	1.35	0.5	30.9	15.2	10000	13000
25	52	15	1	49.73	2.46	1.35	0.4	14.5	8.2	12000	15000
	52	15	1	49.73	2.46	1.35	0.4	14.5	8.2	12000	15000
	62	17	1.1	59.61	3.28	1.9	0.6	22.5	11.6	11000	14000
	62	17	1.1	59.61	3.28	1.9	0.6	22.5	11.6	11000	14000
28	52	12	0.6	49.73	2.06	1.35	0.5	12.4	7.37	12000	15000
	52	12	0.6	49.73	2.06	1.35	0.5	12.4	7.37	12000	15000
	68	18	1.1	64.82	3.28	1.9	0.5	26.8	14	1100	14000
	68	18	1.1	64.82	3.28	1.9	0.5	26.8	14	1100	14000
30	62	16	1	59.61	3.28	1.9	0.6	19.6	11.2	10000	13000
	62	16	1	59.61	3.28	1.9	0.6	19.6	11.2	10000	13000
	72	19	1.1	68.81	3.28	1.9	0.6	28.1	16	9000	11000
	72	19	1.1	68.81	3.28	1.9	0.6	28.1	16	9000	11000
	80	23	0.5				0.5	39.5	21.5	9000	
	90	23	1.5	86.79	3.28		0.6	44.6	23		
32	75	20	1.1	71.83	3.28	1.9	0.5	29.8	16.8	5000	11000
	75	20	1.1	71.83	3.28	1.9	0.5	29.8	16.8	5000	11000
35	72	17	1.1	68.81	3.28	1.9	0.6	25.5	15.3	9000	11000
	72	17	1.1	68.81	3.28	1.9	0.6	25.5	15.3	9000	11000
	80	21	1.5	76.81	3.28	1.9	0.6	35.8	19	8500	10000
	80	21	1.5	76.81	3.28	1.9	0.6	35.8	19	8500	10000
	100	25	1.5	96.8	3.28	2.7	0.6	55.8	31	7000	8500
	100	25	1.5	96.8	3.28	2.7	0.6	55.8	31	7000	8500

Bearing Designations		Mounting Dimensions			Mass
Present	Original	d <sub>amin</sub>	D <sub>amax</sub>	r <sub>amax</sub>	
		mm			kg
6202EN		19	31	0.6	0.0417
6302EN		21	37	1	0.0796
6203 EN	50203 E	21	36	0.6	0.0651
6203 E-ZN	150203 E	21	36	0.6	0.0651
6303 EN	50303 E	22	42	1	0.109
6303 E-ZN	150303 E	22	42	1	0.109
6204 EN	50204 E	25	42	1	0.103
6204 E-ZN	150204 E	25	42	1	0.103
6304 EN	50304 E	26.5	45.5	1	0.142
6304 E-ZN	150304 E	26.5	45.5	1	0.14
6404EN		26.5	65.5	1	0.405
63/22 E-NR		29	49	1	0.182
6205 EN	50205 E	30	47	1	0.127
6205 E-ZN	150204E	30	47	1	0.127
6305 EN	50305 E	31.5	55.5	1	0.217
6305 E-ZN	150305E	31.5	55.5	1	0.217
60/28EN		33	47	0.5	0.0971
60/28E-RSN		33	47	0.5	0.0971
63/28EN		35	61	1	0.278
63/28E-RSN		35	61	1	0.278
6206 EN	50206 E	35	57	1	0.197
6206 E-ZN	150206E	35	57	1	0.195
6306 EN	50306 E	36.5	65.5	1	0.349
6306 E-ZN	150304E	36.5	65.5	1	0.349
63/30EN/S0		38	72	0.5	0.518
6406EN					0.715
63/32 EN		39	68	1	0.397
6207 EN	50207 E	41.5	65.5	1	0.279
6207 E-ZN	150207E	41.5	65.5	1	0.279
6307 EN	50307 E	43	72	1.5	0.456
6307 E-ZN	150307E	43	72	1.5	0.42
6407 EN	50407 E	43	92	1.5	0.922
6407 E-ZN	150407E	43	92	1.5	0.917



d 40~65mm

d	Boundary Dimensions							Basic Load Ratings		Limiting Speeds				
	D	B	r <sub>min</sub>	D <sub>n</sub>	a	b	r <sub>1min</sub>	Dynamic C	Static C <sub>0</sub>	Grease	Oil			
mm											kN		r/min	
40	80	18	1.1	76.81	3.28	1.9	0.6	30.1	18.6	8500	10000			
	80	18	1.1	76.81	3.28	1.9	0.6	30.1	18.6	8500	10000			
	80	18	1.1					32.6	19.8					
	90	23	1.5	86.79	3.28	2.7	0.6	41.2	23.3	7300	8700			
	90	23	1.5	86.79	3.28	2.7	0.6	41.2	23.3	7300	8700			
	110	27	2	106.81	3.28	2.7	0.6	68	36.2	6500	8000			
110	27	2	106.81	3.28	2.7	0.6	68	36.2	6500	8000				
45	85	19	1.1	81.81	3.28	1.9	0.6	32.2	21	7500	9000			
	85	19	1.1	81.81	3.28	1.9	0.6	32.2	21	7500	9000			
	100	25	1.5	96.8	3.28	2.7	0.6	53	30.5	6500	7800			
	100	25	1.5	96.8	3.28	2.7	0.6	53	30.5	6500	7800			
	120	29	2	115.21	4.06	3.1	0.6	79	44.1	5800	7000			
	120	29	2	115.21	4.06	3.1	0.6	79	44.1	5800	7000			
50	90	20	1.1	86.79	3.28	2.7	0.6	35.4	22.7	7000	8500			
	90	20	1.1	86.79	3.28	2.7	0.6	35.4	22.7	7000	8500			
	110	27	2	106.81	3.28	2.7	0.6	61.8	37.9	6300	7500			
	110	27	2	106.81	3.28	2.7	0.6	61.8	37.9	6300	7500			
	130	31	2.1	125.22	4.06	3.1	0.6	92	55	5300	6300			
	130	31	2.1	125.22	4.06	3.1	0.6	92	55	5300	6300			
55	100	21	1.5	96.8	3.28	2.7	0.6	43.3	28.1	6300	7500			
	100	21	1.5	96.8	3.28	2.7	0.6	43.3	28.1	6300	7500			
	120	29	2	115.21	4.06	3.1	0.6	71.5	44.6	5600	6700			
	120	29	2	115.21	4.06	3.1	0.6	71.5	44.6	5600	6700			
	140	33	2.1	135.23	4.9	3.1	0.6	101	62.4	5000	6000			
	140	33	2.1	135.23	4.9	3.1	0.6	101	62.4	5000	6000			
60	110	22	1.5	106.81	3.28	2.7	0.6	54	33	6000	7000			
	110	22	1.5	106.81	3.28	2.7	0.6	54	33	6000	7000			
	130	31	2.1	125.22	4.06	3.1	0.6	83	50.4	5000	6000			
	130	31	2.1	125.22	4.06	3.1	0.6	83	50.4	5000	6000			
	150	35	2.1	145.24	4.9	3.1	0.6	109	71	4800	5600			
	150	35	2.1	145.24	4.9	3.1	0.6	109	71	4800	5600			
65	120	23	1.5	115.21	4.06	3.1	0.6	54.2	39.3	5300	6300			
	120	23	1.5	115.21	4.06	3.1	0.6	54.2	39.3	5300	6300			
	140	33	2.1	135.23	4.9	3.1	0.6	89.5	59.7	4800	5600			
	140	33	2.1	135.23	4.9	3.1	0.6	89.5	59.7	4800	5600			

Bearing Designations		Mounting Dimensions			Mass
Present	Original	d <sub>amin</sub>	D <sub>amax</sub>	r <sub>amax</sub>	
mm					
kg					
6208 EN	50208 E	46.5	73.5	1	0.353
6208 E-ZN	150208E	46.5	73.5	1	0.346
6208ENR					0.369
6308 EN	50308 E	48	82	1.5	0.6
6308 E-ZN	150308E	48	82	1.5	0.63
6408 EN	50408 E	49	101	2	1.164
6408 E-ZN	150408E	49	101	2	1.21
6209 EN	50209 E	51.5	78.5	1	0.401
6209 E-ZN	150209E	51.5	78.5	1	0.401
6309 EN	50309 E	53	92	1.5	0.83
6309 E-ZN	150309E	53	92	1.5	0.83
6409 EN	50409 E	54	111	2	1.55
6409 E-ZN	150409E	54	111	2	1.55
6210 EN	50210 E	56.5	83.5	1	0.454
6210 E-ZN	150210E	56.5	83.5	1	0.47
6310 EN	50310 E	59	101	2	1.05
6310 E-ZN	150310E	59	101	2	1.08
6410 EN	50410 E	61	119	2	1.91
6410 E-ZN	150410E	61	119	2	1.91
6211 EN	50211 E	63	92	1.5	0.595
6211 E-ZN	150211E	63	92	1.5	0.58
6311 EN	50311 E	64	111	2	1.33
6311 E-ZN	150311E	64	111	2	1.35
6411 EN	50411 E	66	129	2	2.3
6411 E-ZN	150411E	66	129	2	2.3
6212 EN	50212 E	68	102	1.5	0.785
6212 E-ZN	150212E	68	102	1.5	0.781
6312 EN	50312 E	71	119	2	1.68
6312 E-ZN	150312E	71	119	2	1.71
6412 EN	50412 E	71	139	2	2.77
6412 E-ZN	150412E	71	139	2	2.77
6213 EN	50213 E	73	112	1.5	0.961
6213 E-ZN	150213E	73	112	1.5	0.96
6313 EN	50313 E	76	129	2	2.06
6313 E-ZN	150313E	76	129	2	2.09

